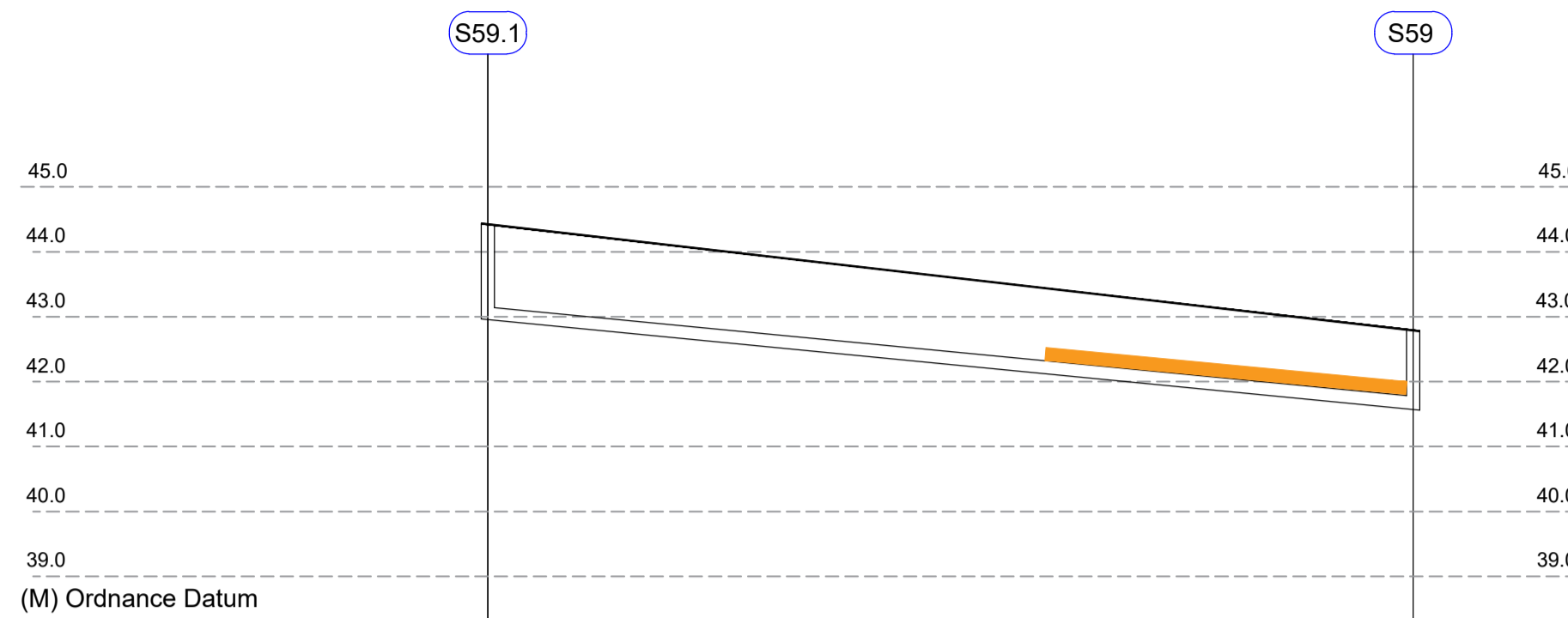


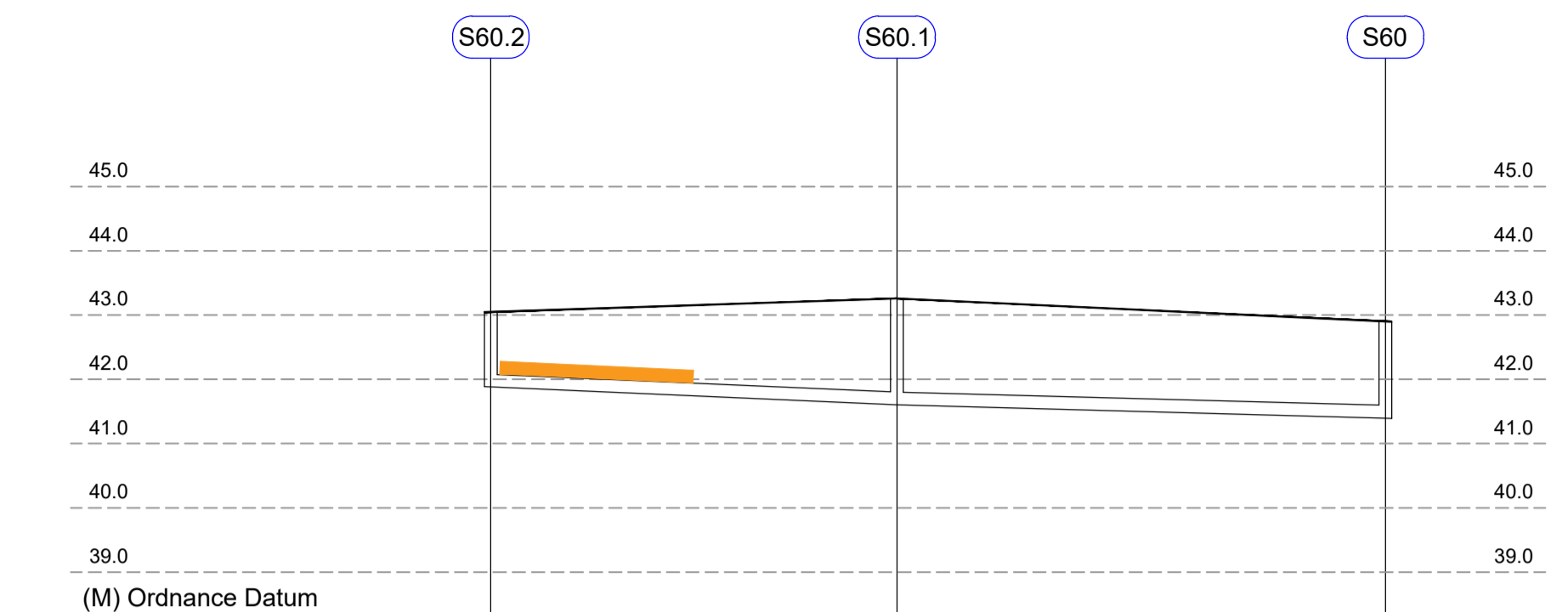
Pipe Number (PN)	20.000
Diameter (mm)	225
Slope (1:X)	69.0
Cover Level (m)	43.970 / 43.300
Invert Level (m)	42.440 / 41.650
Pipe Length (m)	42.926
Concrete Surround Pipe Protection	No

STORM SEWER LONGSECTION S58.1 TO S58
HORIZONTAL SCALE 1:500
VERTICAL SCALE 1:100



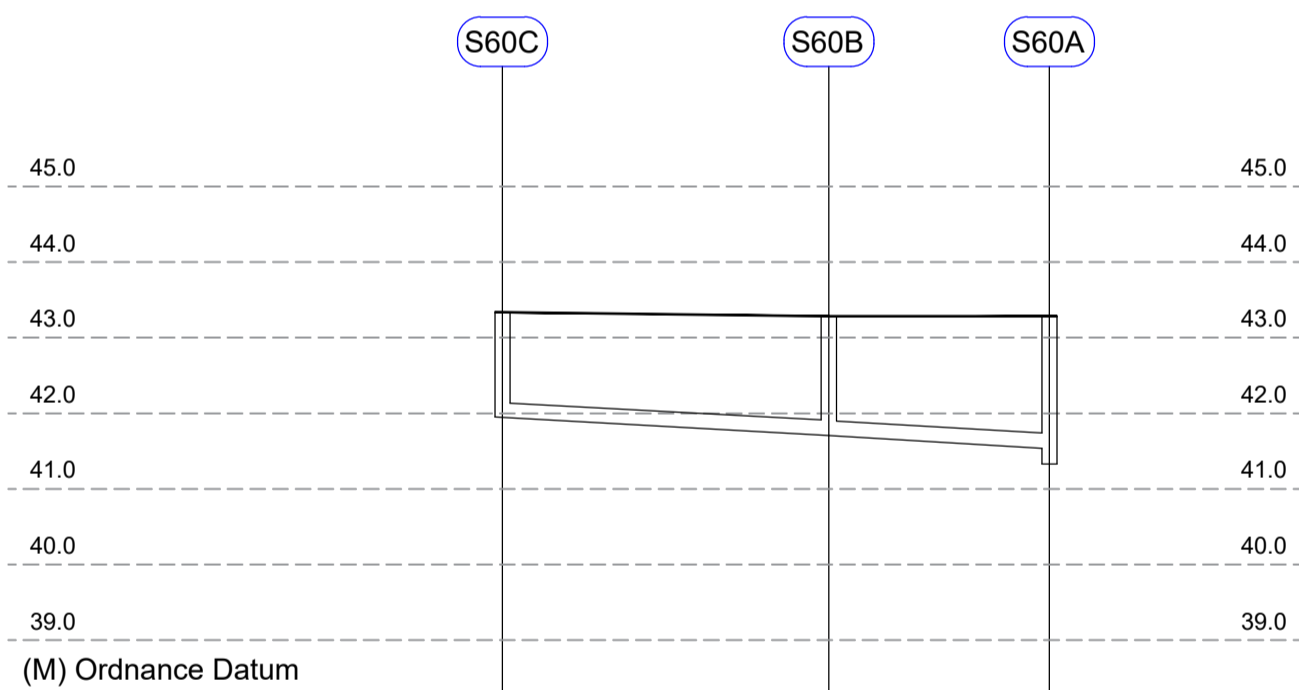
Pipe Number (PN)	21.000
Diameter (mm)	225
Slope (1:X)	52.0
Cover Level (m)	44.420 / 42.870
Invert Level (m)	42.970 / 42.570
Pipe Length (m)	71.265
Concrete Surround Pipe Protection	Yes

STORM SEWER LONGSECTION S59.1 TO S59
HORIZONTAL SCALE 1:500
VERTICAL SCALE 1:100



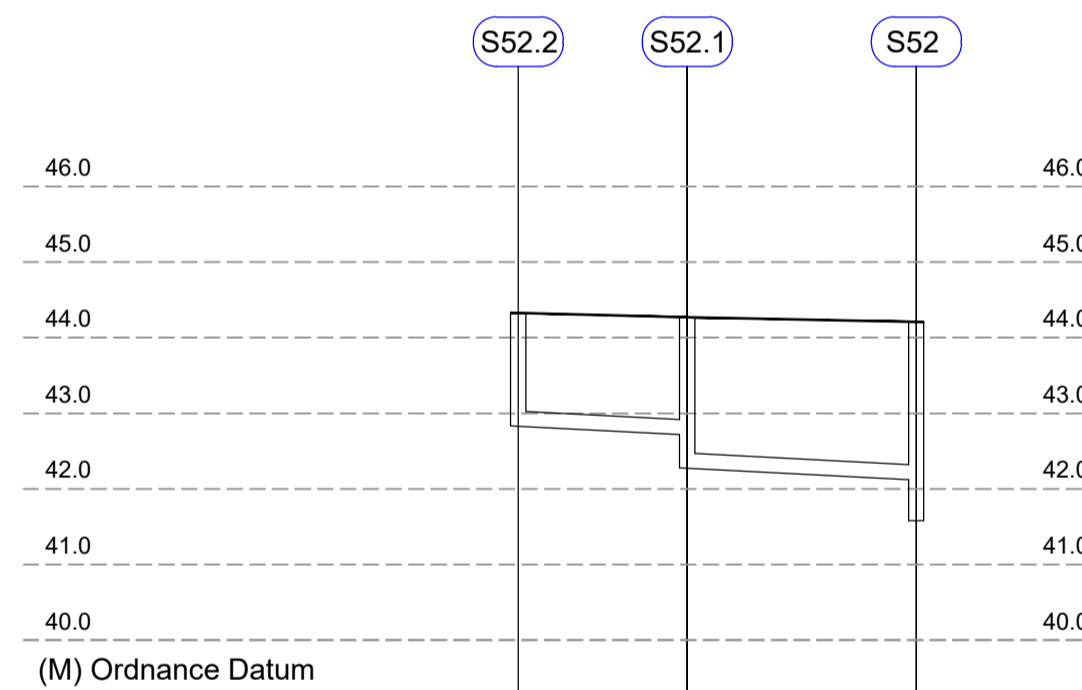
Pipe Number (PN)	22.000	22.001
Diameter (mm)	225	225
Slope (1:X)	150.6	150.0
Cover Level (m)	43.040 / 41.900	43.320 / 41.700
Invert Level (m)	41.900 / 41.900	41.447 / 41.440
Pipe Length (m)	31.613	38.013
Concrete Surround Pipe Protection	Yes	No

STORM SEWER LONGSECTION S60.2 TO S60
HORIZONTAL SCALE 1:500
VERTICAL SCALE 1:100



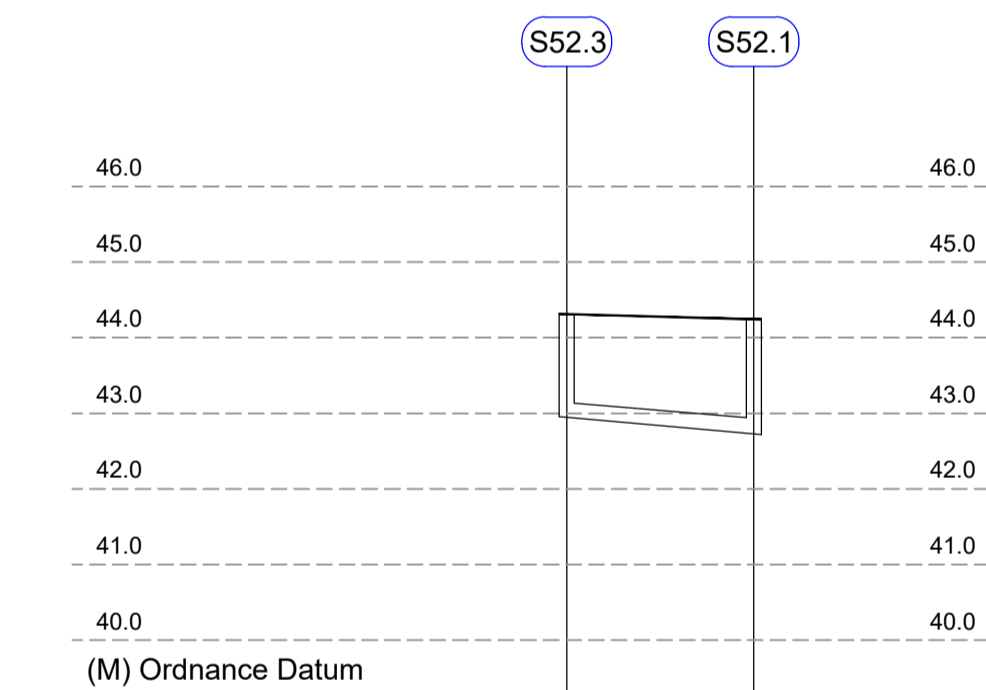
Pipe Number (PN)	23.000	23.001
Diameter (mm)	225	225
Slope (1:X)	150.0	150.0
Cover Level (m)	43.400 / 41.910	43.350 / 41.766
Invert Level (m)	41.910 / 41.910	41.766 / 41.330
Pipe Length (m)	21.587	14.584
Concrete Surround Pipe Protection	No	No

STORM SEWER LONGSECTION S60C TO S60A
HORIZONTAL SCALE 1:500
VERTICAL SCALE 1:100



Pipe Number (PN)	16.000	16.001
Diameter (mm)	225	225
Slope (1:X)	60.0	100.0
Cover Level (m)	44.350 / 42.900	44.300 / 42.250
Invert Level (m)	42.900 / 42.714	42.300 / 41.650
Pipe Length (m)	11.177	17.830
Concrete Surround Pipe Protection	No	No

STORM SEWER LONGSECTION S52.2 TO S52
HORIZONTAL SCALE 1:500
VERTICAL SCALE 1:100



Pipe Number (PN)	17.000
Diameter (mm)	225
Slope (1:X)	60.0
Cover Level (m)	44.350 / 42.900
Invert Level (m)	42.900 / 42.694
Pipe Length (m)	12.374
Concrete Surround Pipe Protection	No

STORM SEWER LONGSECTION S52.3 TO S52.1
HORIZONTAL SCALE 1:500
VERTICAL SCALE 1:100

PLANNING DRAWING.
NOT FOR CONSTRUCTION.
ALL LEVELS GIVEN ARE
RELATIVE TO ORDNANCE DATUM.
THIS DRAWING HAS BEEN ISSUED FOR INFORMATION
PURPOSES ONLY AND MUST NOT BE USED
FOR CONSTRUCTION UNDER ANY CIRCUMSTANCES

- NOTES**
- For setting out refer to Architect's drawings.
 - This drawing to be read in conjunction with all other Architectural and Engineering drawings and all other relevant drawings and Specifications.
 - DO NOT SCALE THIS DRAWING. Use figured dimensions only.
 - No part of this document may be reproduced or transmitted in any form or stored in any retrieval system of any nature without the written permission as copyright holder except as agreed for use on the project for which the document was originally issued.
 - Ordnance Survey Ireland Licence Number EN 0074021

Rev. No.	Date	REVISION NOTE	Dm. By	Chkd. By
P1	22.01.2021	CSI Licence Updated	JS	NB

Architect	Reddy Architecture + Urbanism
Project	Residential Development Clonattin, Gorey
Title	Proposed Storm Longsection Sheet 6 of 6
Dwg. No.	CLO-CSC-ZZ-XX-DR-C-0053
Date	May 2020
Dm by	AB
Chkd by	GL
Aprvd by	NB
Scale	AS SHOWN
Revision	P1

CS Consulting Group
DUBLIN | LONDON | LIMERICK

Head Office
19-22 Dame Street, Dublin 2.
T: +353 (0)1 5480863 F: +353 (0)1 9011355
e: info@cscconsulting.ie
w: www.cscconsulting.ie

Quality I.S. EN ISO 9001:2008
Environment I.S. EN ISO 14001:2004
NSAI Certified Health & Safety OHSAS 18001:2007